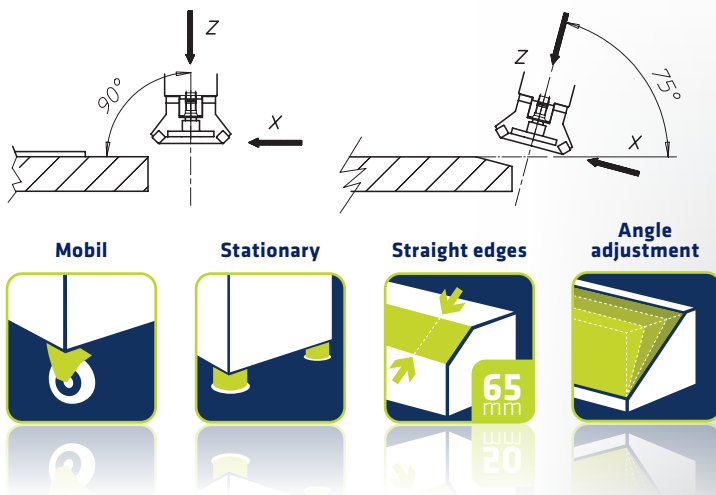


ASO 910

Chamfering Machine, selfpropelling

The ASO 910 automatic edge milling machine masters the milling of heels or the resetting of claddings with flying colours. Thanks to its robust version, the machine achieves a chamfer width of up to 50 mm and a chamfer depth of up to 15 mm. The machine is unique in this performance category.



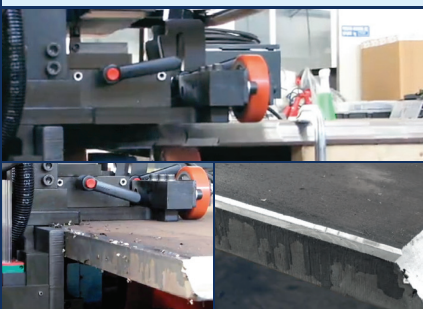
ASO 910



Further accessories can be found in our **Accessory Catalogue**.

Applications

- ▶ Especially suitable for heavy, long and extensive workpieces
- ▶ This machine is universal for all materials and suitable for continuous operation
- ▶ Shoulder milling or light bevelling at an angle of 90° - 75° regarding the perpendicular
- ▶ Mobile operation of roller carriage or with crane support or stationary



Features

- ⌚ Feed in X- and Z-axis, as well as easy chamfer angle adjustment
- ⌚ Automatic feed adjustment depending on the relevant material from 0 - 1 m/min.
- ⌚ Sturdy cast iron-steel construction, hardened work table with guide rollers
- ⌚ Working height 930 - 1,120 mm

Options

- ⌚ Face-, corner- or radius milling cutter can be used, depending on shoulder run-out
- ⌚ Special version for larger plate thicknesses
- ⌚ Special version for workpiece thicknesses: 8 - 220 mm
- ⌚ Extension of the x-axis feed to 100mm

Delivery contents

- ⌚ Allen key 8 and 10 mm
- ⌚ Electric cable without plug
- ⌚ Automatic workpiece thickness adjustment
- ⌚ Operating manual

Technical data

	ASO 910 ⌚
Motor	5.5 kW 0 - 900 rpm
Energy	400 V, 50/60 Hz
Maximum feed traverse in X- / Z-axes	65 mm / 15 mm
Angular adjustment	90° - 75°
Workpiece thickness	8 - 100 mm
Weight	390 kg
Item no.	64247