

V-PAD | MAG-TAB | MIG Torch | MCB

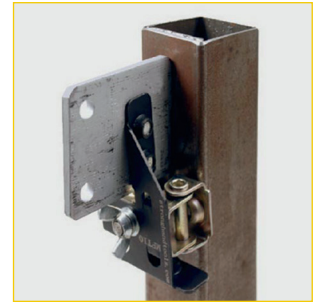
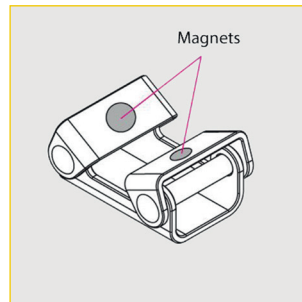
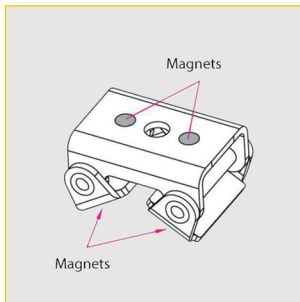
Small Magnetic Welding Devices, Holding Magnet

For holding and positioning lightweight magnetic parts.



V-PAD

MAG-TAB



Holding Magnet MCB 82 - rubber coated it preserves the surface



MIG Torch - Holder with magnetic base for burner and plier

Technical data

	Dimension	Adhesive force	Weight	No.	Price
	[mm]	[kg]	[kg]		
V-PAD	70 x 35 + 55 x 20	8	0,4	55019	24,00
MAG-TAB MFT10	60 x 96 x 32	8	0,2	53093	19,00
MAG-TAB MNT15	100 x 130 x 38	16	0,2	67468	22,00
MIG Torch	-	-	0,5	70565	60,00
MCB 82	Ø 85 x 140	45	0,2	67467	60,00

Prices are subject to change